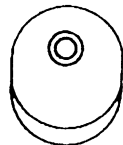
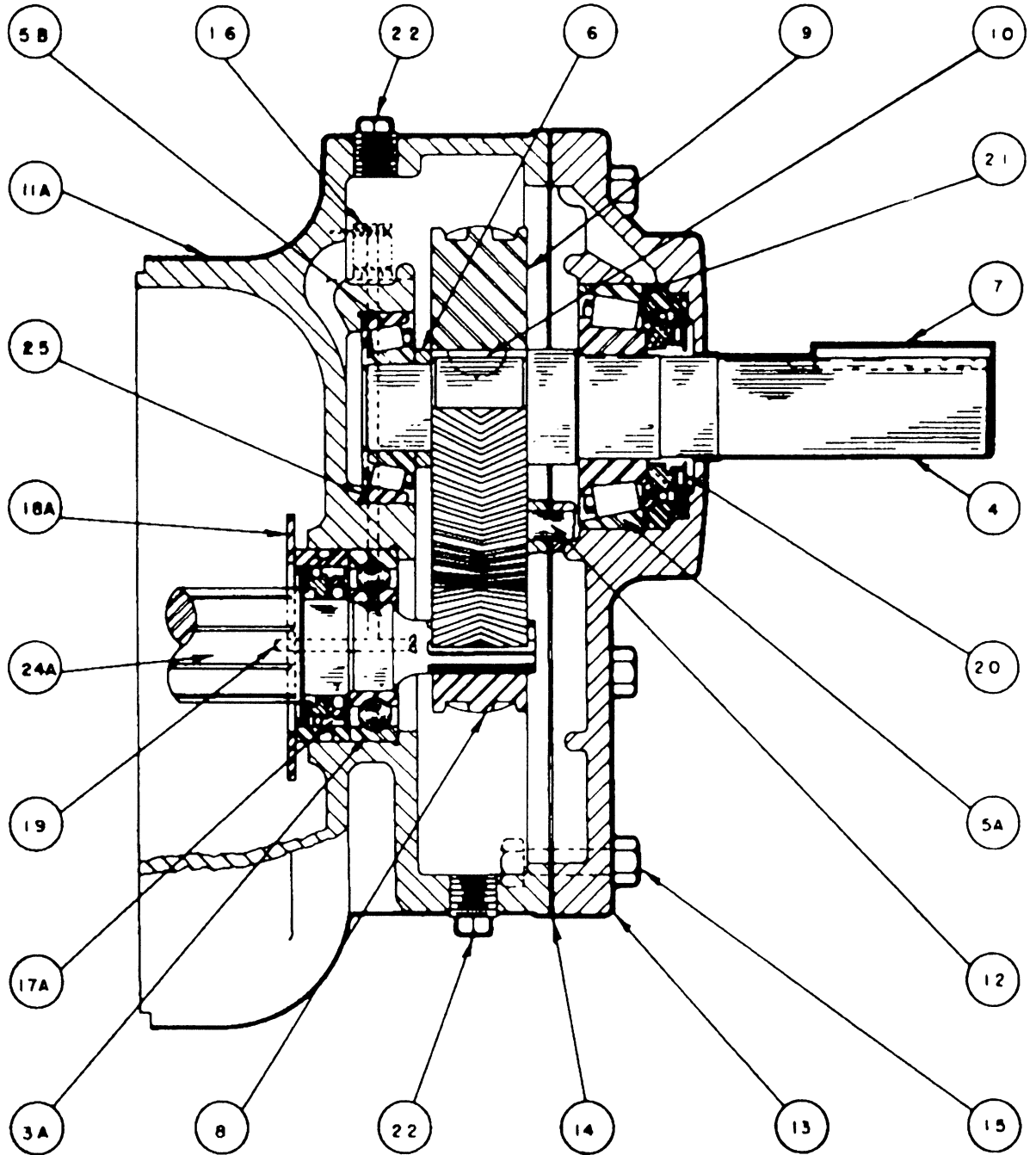
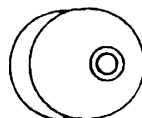


File Parts Catalogue
Single Parallel

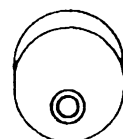
SINGLE PARALLEL GEARMOTORS
FRAMES 7400 - 200 - 9200 - 220 - 11200 - 254



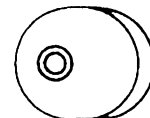
POS-A



POS-B



POS-C



POS-D

Supersedes
Jan 2 1957

PARTS LIST FOR SINGLE PARALLEL GEARMOTORS

NAME AND DESCRIPTION OF PARTS

1. Armature winding for single phase or direct current motors complete with shaft, fan and short circuiter on single phase motor
2. Rotor assembly complete with shaft and fan
3. Ball bearing
 - (a) Gearhead end
 - (b) Opposite gearhead end
4. Countershaft
5. Countershaft roller bearings
 - (a) Shaft extension end
 - (b) Opposite shaft end
6. Countershaft spacing collar
7. Countershaft key
8. Driver gear
9. Driven gear
10. Driven gear key
11. Gearhead
 - (a) Open or enclosed
 - (b) Explosion Proof
12. Gearhead dowel pins
13. Gearcase cover
14. Gearcase cover gasket
15. Gearcase cover screws and lockwashers
16. Oil gauge - bayonet
17. Oil seal for motorshaft
 - (a) Open or enclosed
 - (b) Explosion proof
18. Oil seal clamp
 - (a) Open or enclosed
 - (b) Explosion proof
19. Oil seal clamp screws
20. Oil seal for countershaft
21. Oil seal bearing shim
22. Plug - drain or filler
23. Plug - vent (not shown)
24. Shaft - Motor - 2 & 3 phase motors only
 - (a) Open or enclosed
 - (b) Fan cooled and explosion proof
25. Shims for rear countershaft bearing