



“**Americans**”

ON DISPLAY



Plant of The American Tool Works Co., Cincinnati, Ohio.
Floor Space, 365,500 square feet. Number of employees at capacity, 1600

THE PURPOSE of this booklet is to present a pictorial review of "American" Lathes and "American" Radial Drills. Complete descriptive literature of any or all of these products will be gladly furnished upon request.

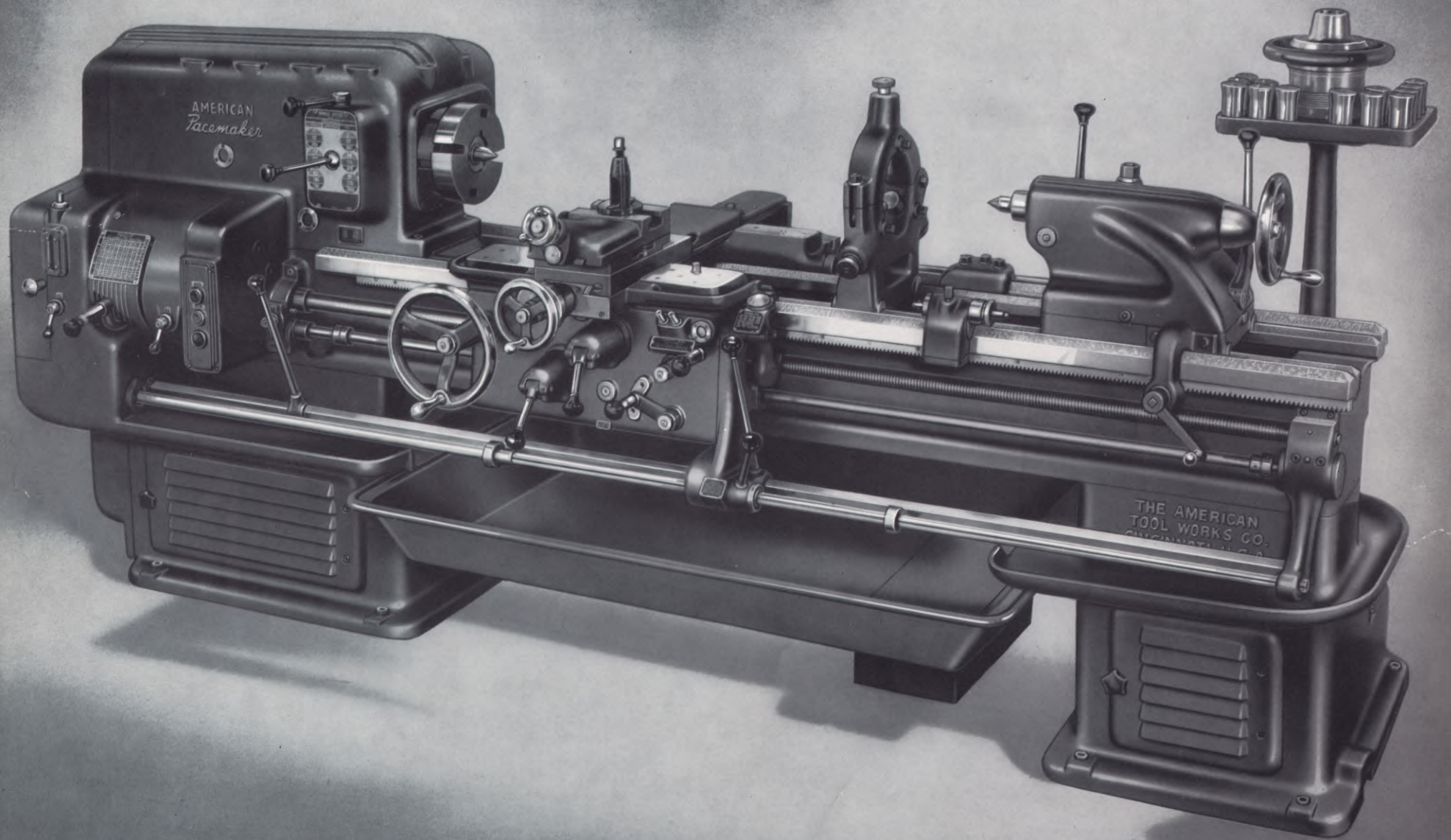
"American" Lathes and Radial Drills have won the preference where the newest and best methods of production are understood.

Modern design . . . unit construction . . . sensitive control . . . mechanical perfection in each individual machine . . . low maintenance cost . . . basically sound improvements that place production on a higher plane of efficiency and establish new lows on the cost sheets.

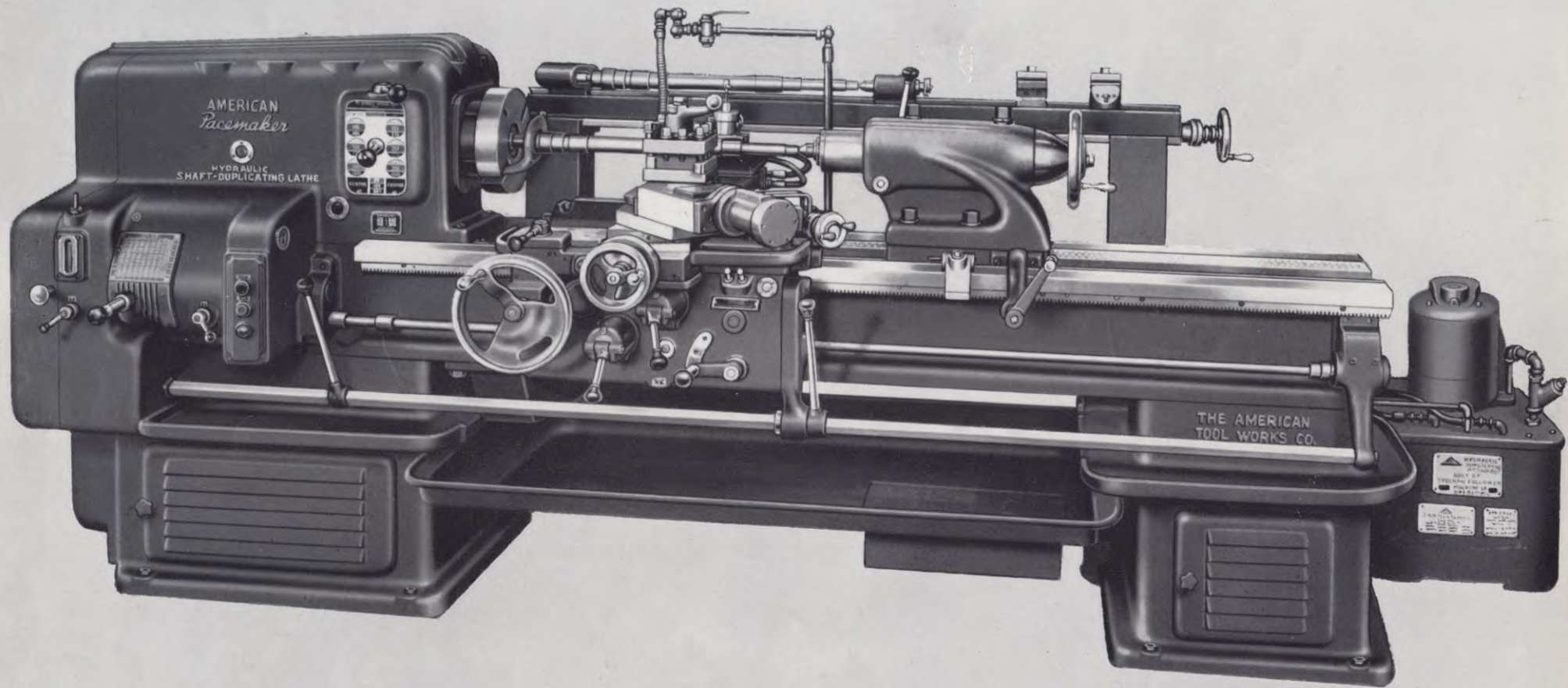
"AMERICAN" LATHES are giving lathe values a new perspective. They have power in abundance, stability, capacity and engineering refinements that produce economies to meet both the demands of today and the anticipated requirements of the future.

"AMERICAN" RADIALS are known the world over for their two major accomplishments—lower cost per hole and more holes per drill grind. Lower cost per hole because the essential factors governing hole cost . . . power . . . operative convenience . . . selective speeds and feeds and low maintenance are highly developed in the "American" Hole Wizard Radial. More holes per drill grind because the patented double lo-hung spindle drive produces a steadier and smoother spindle action, which insures longer life to cutting edges of twist drills.

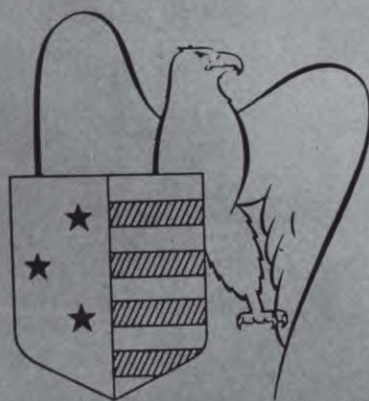
There is no doubt about the cost reducing capabilities of "American" Lathes and Radials. We can provide convincing and conclusive facts and invite your most searching investigation of our product in its every detail.



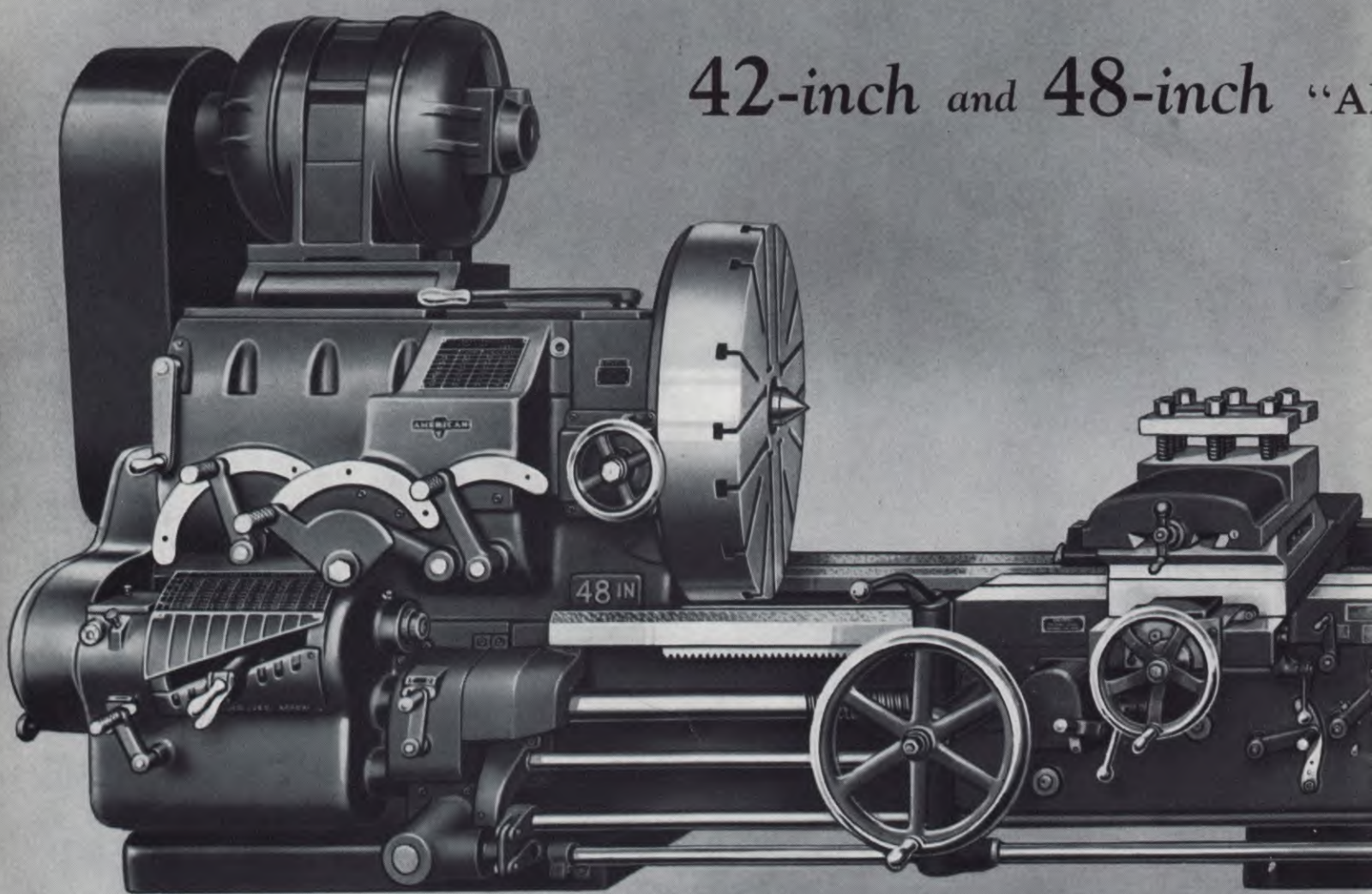
14-inch, 16-inch and 20-inch "American" Pacemaker Precision Tool Room Lathe.
Descriptive Bulletin No. 10.



“American” Pacemaker Hydraulic Duplicating Lathe.
Descriptive Bulletin No. 35.

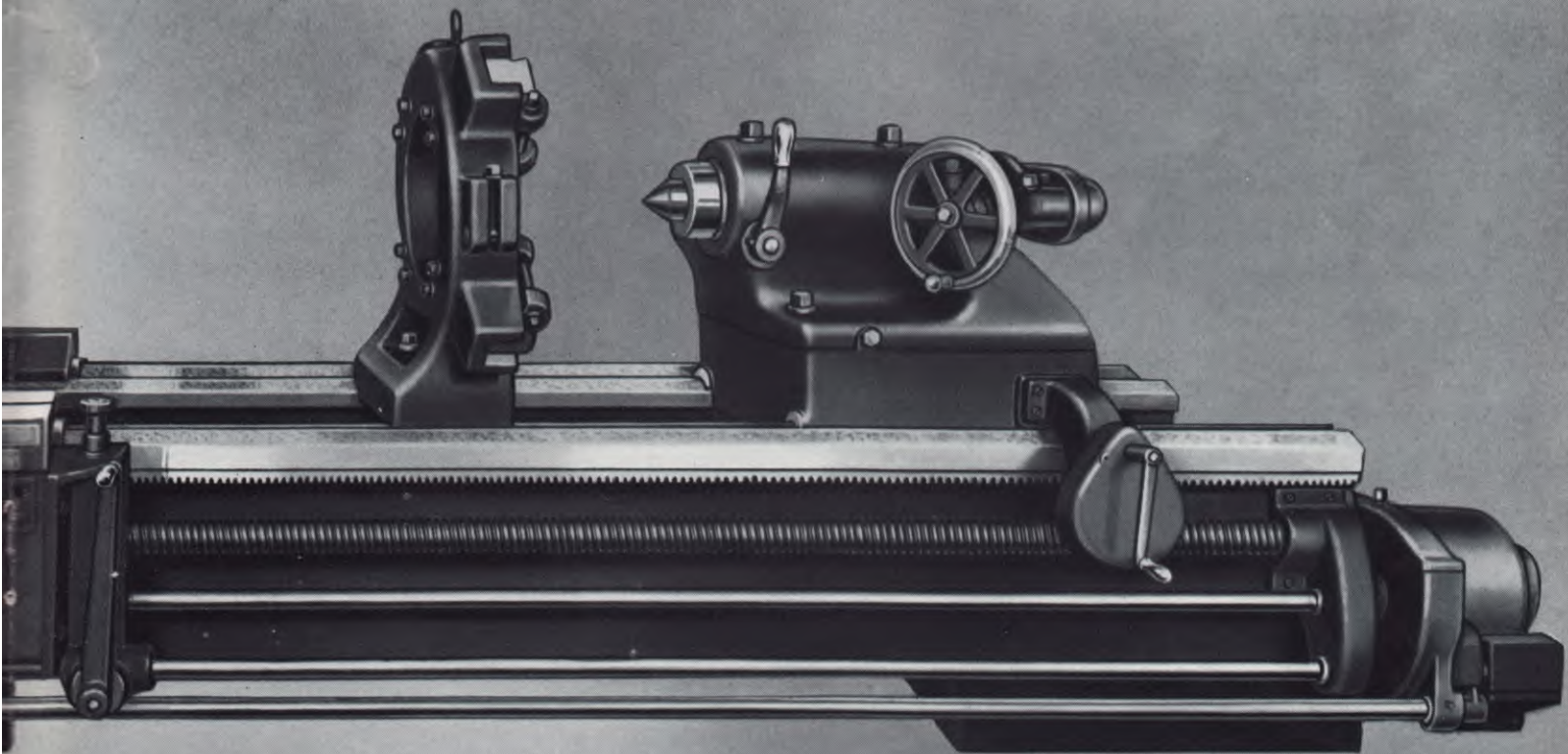


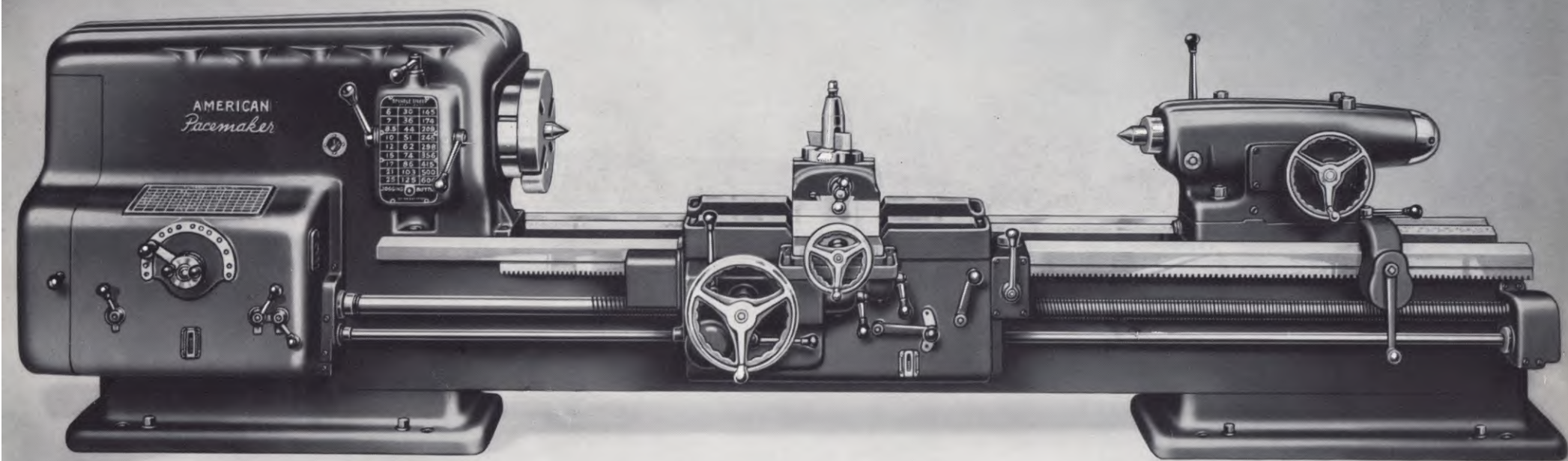
42-inch and 48-inch "A"



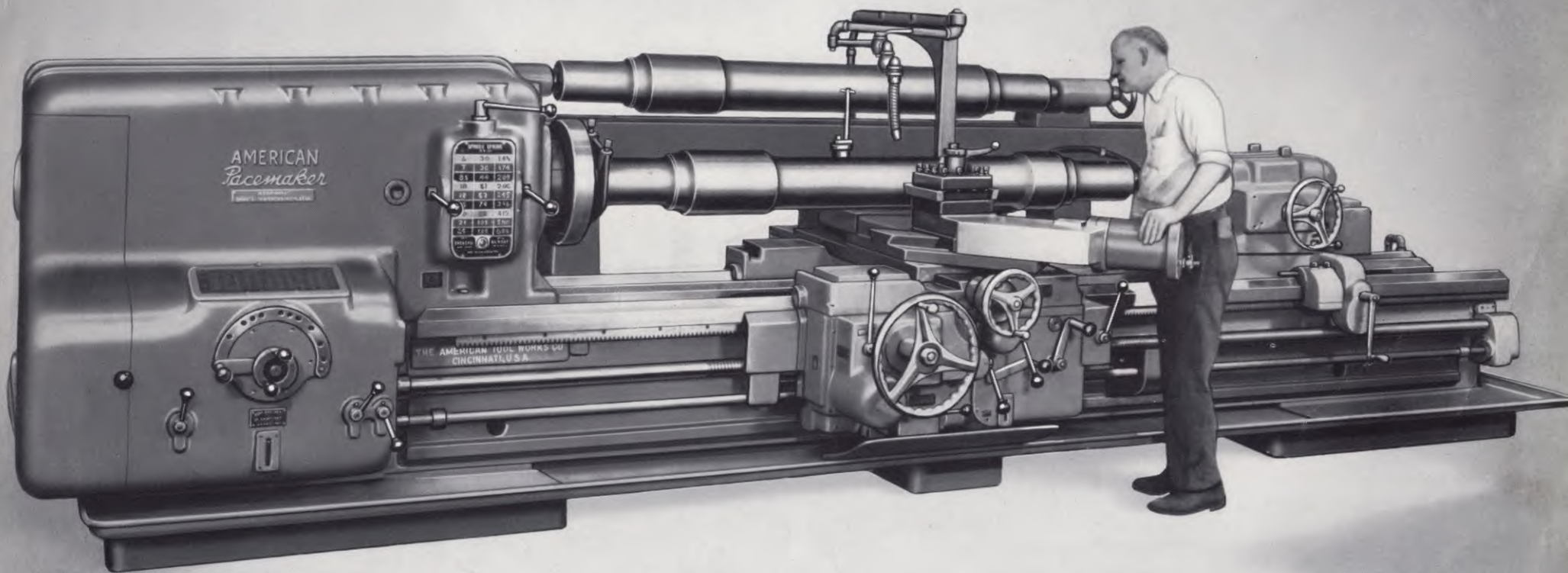
AMERICAN" *Super* PRODUCTIVE LATHES

DESCRIPTIVE BULLETINS Nos. 87 and 97

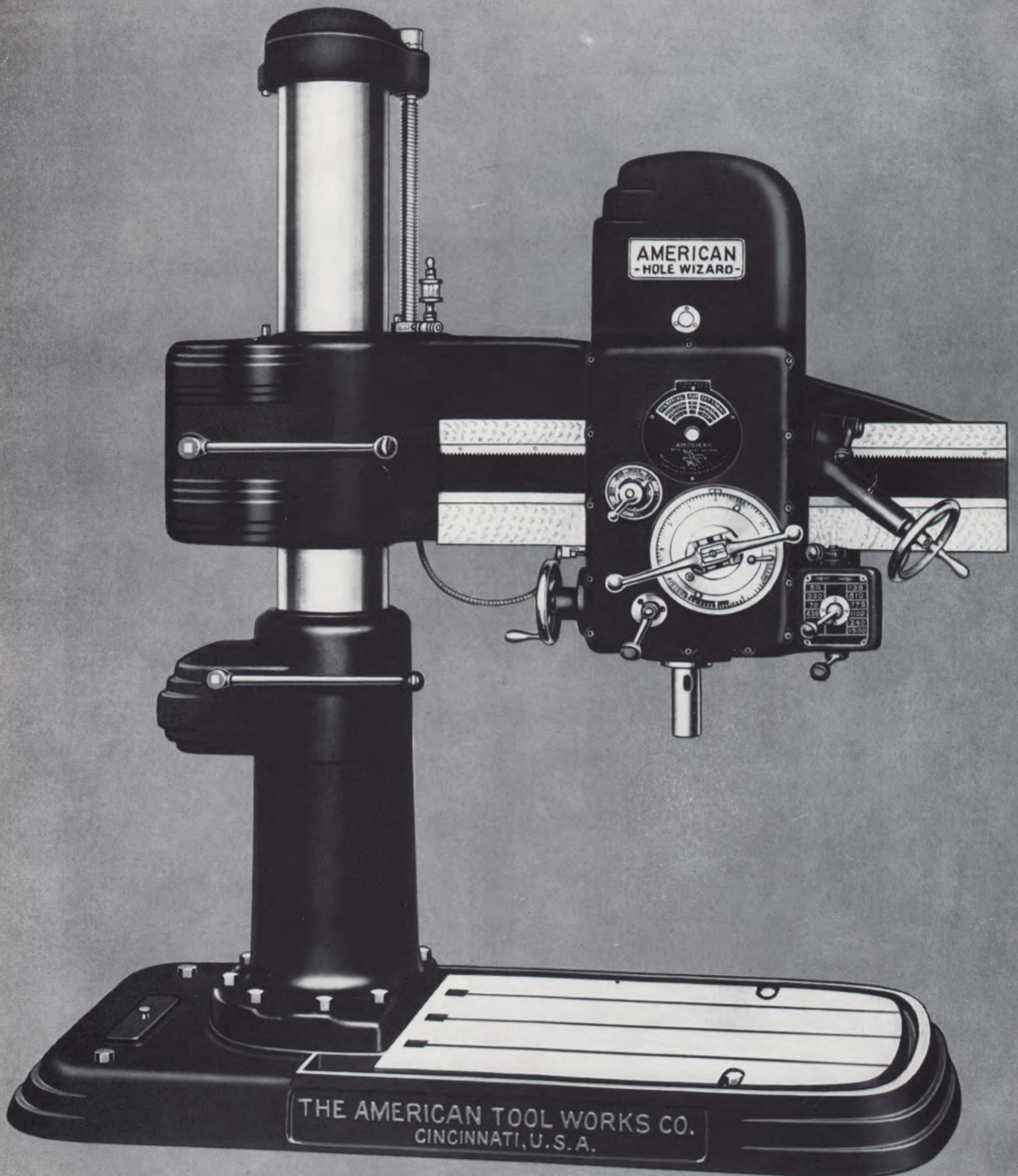




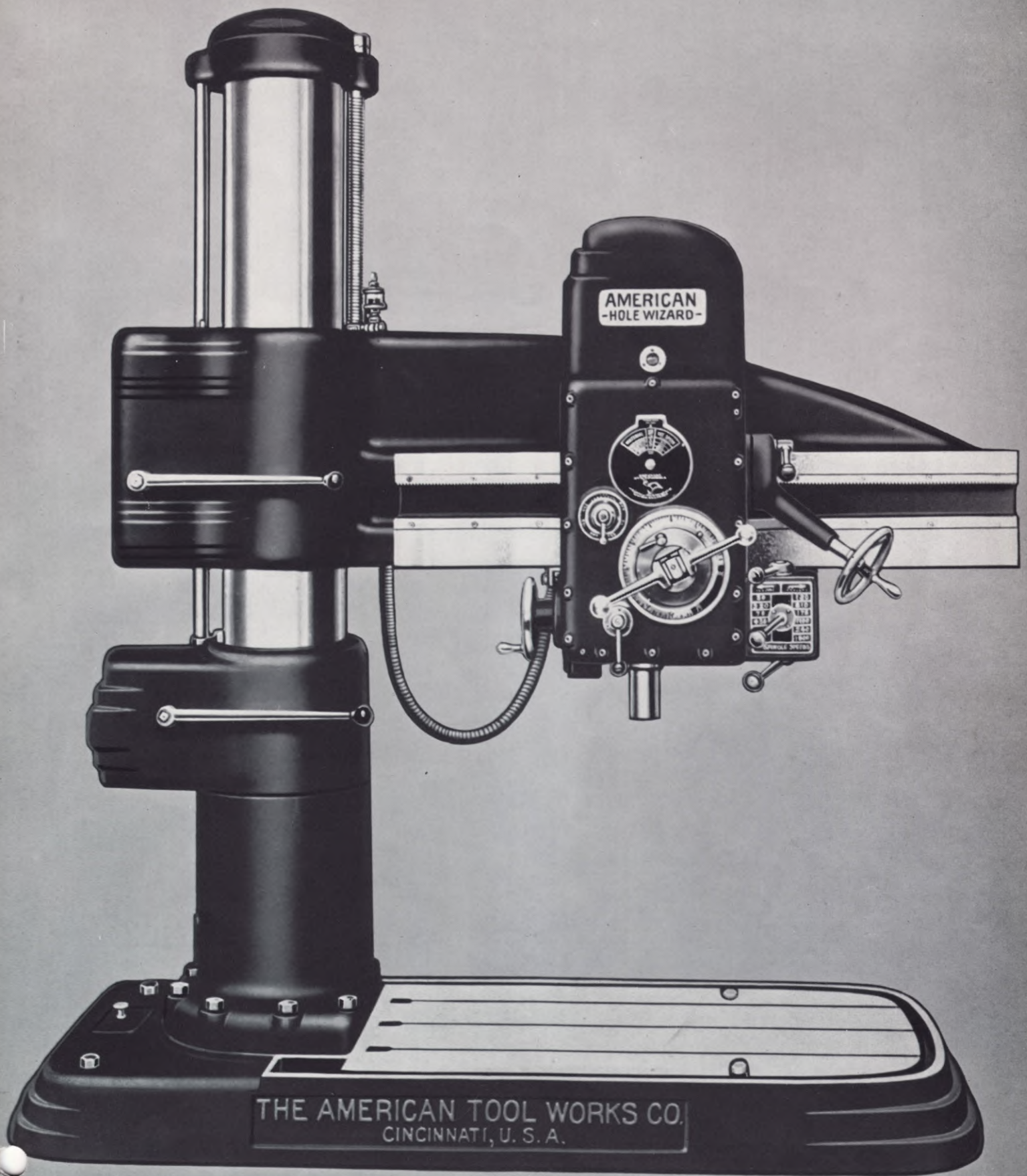
25-inch and 32-inch "American" Pacemaker Lathes. Descriptive Bulletins Nos. 24 and 44



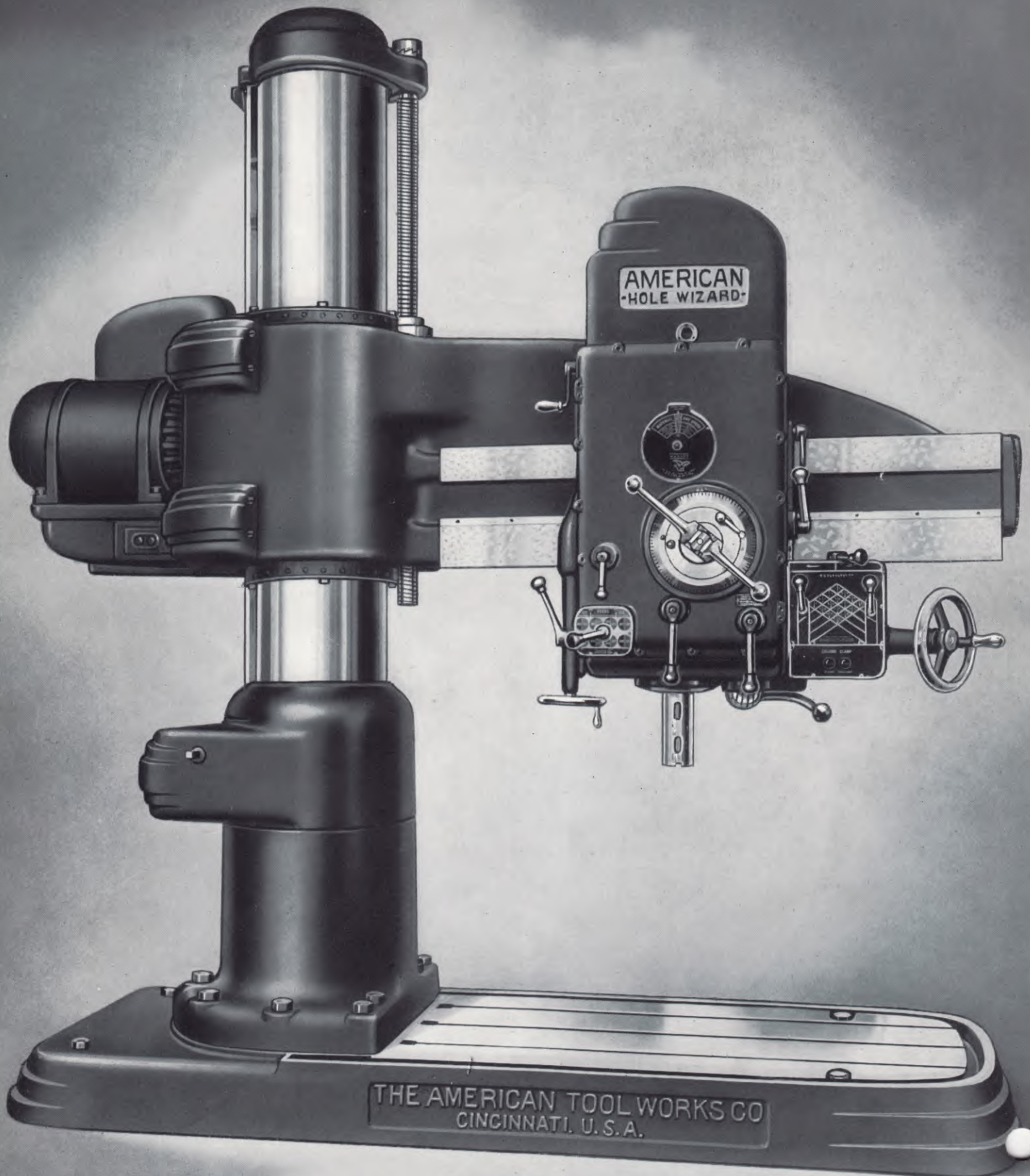
25-inch and 32-inch "American" Pacemaker Hydraulic Duplicating Lathe.
Descriptive Bulletin No. 35



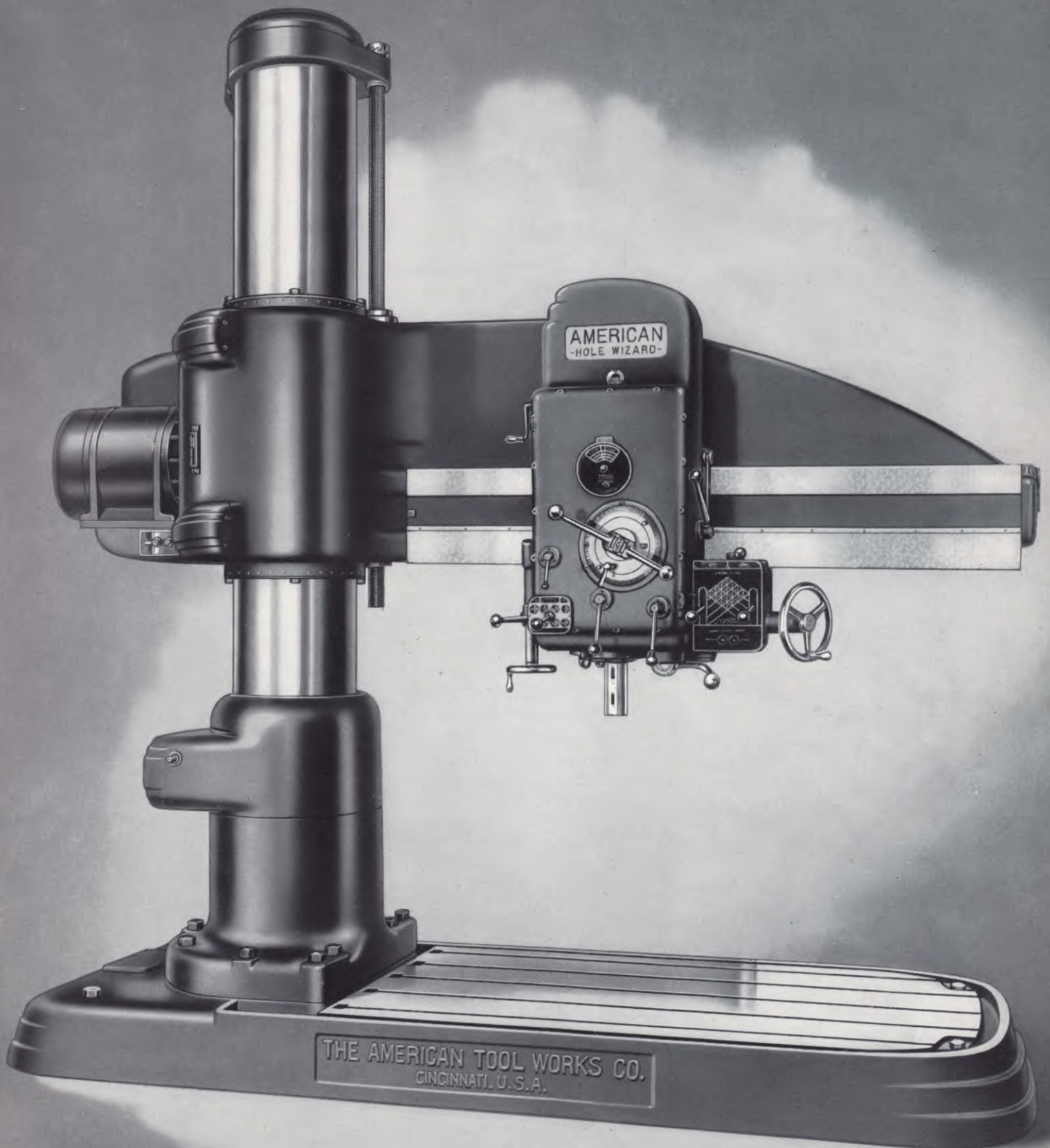
3-foot and 4-foot Arm, 9-inch Column "American" Hole Wizard Radials.
Descriptive Bulletins Nos. 305 and 310.



3-foot, 4-foot and 5-foot Arm, 11-inch Column "American" Hole Wizard Radials.
Descriptive Bulletin No. 315.



4-foot Arm, 5-foot Arm and 6-foot Arm
13-inch and 15-inch Column "American" Hole Wizard Radials.
Descriptive Bulletin No. 327.



5-foot Arm, 6-foot Arm and 7-foot Arm
17-inch Column "American" Hole Wizard Radials.
Descriptive Bulletin No. 327.

WE HELP YOU SELECT THE BEST MACHINE...



“AMERICAN” Lathes and Radial Drills are used throughout the world. Their production achievements have become a trade maxim—a standard of comparison.

Engineering and craftsmanship refined to the finest point of expert skill make “American” products so perfect in every detail that this company has attained envied leadership in its line. The name “American” in the realm of machinery is symbolic of that degree of machine tool quality and refinement attainable only by constant development and years of experience, coupled with an insatiable desire and an unalterable determination to produce the finest and best that human effort and adequate resources are capable of accomplishing.

Let us help you select the proper tool for your work. We maintain a highly specialized engineering and production service department to assist our customers in selecting the proper equipment for their requirements and for rendering such other service as is beneficial to our clientele.

We have literature, informative and descriptive of our entire line of Lathes and Radial Drills, which we shall be glad to send upon request. Let us show you how “American” tools do more work, cut down production costs, and increase shop profits.

THE AMERICAN TOOL WORKS CO.

Lathes and Radial Drills

Cincinnati, Ohio U.S.A.

